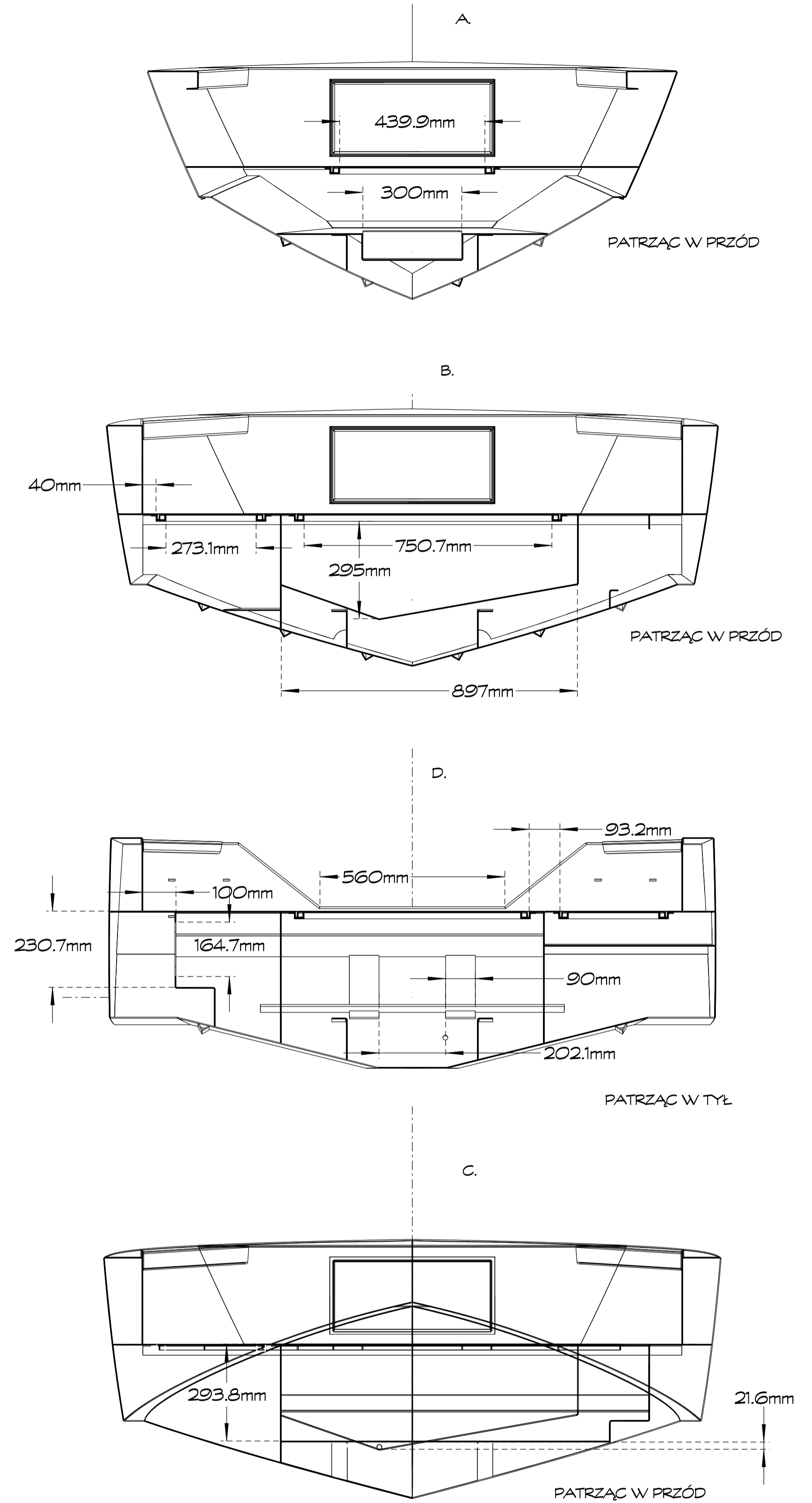
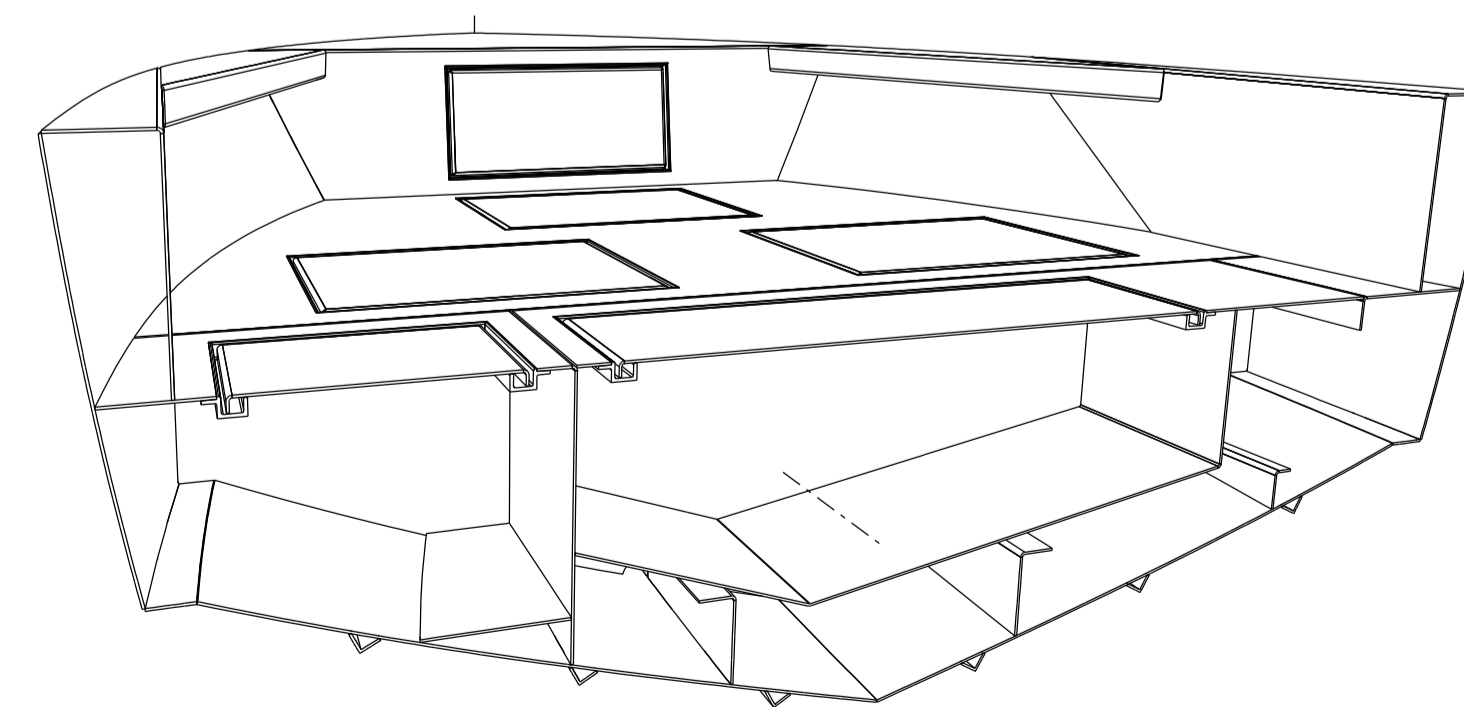
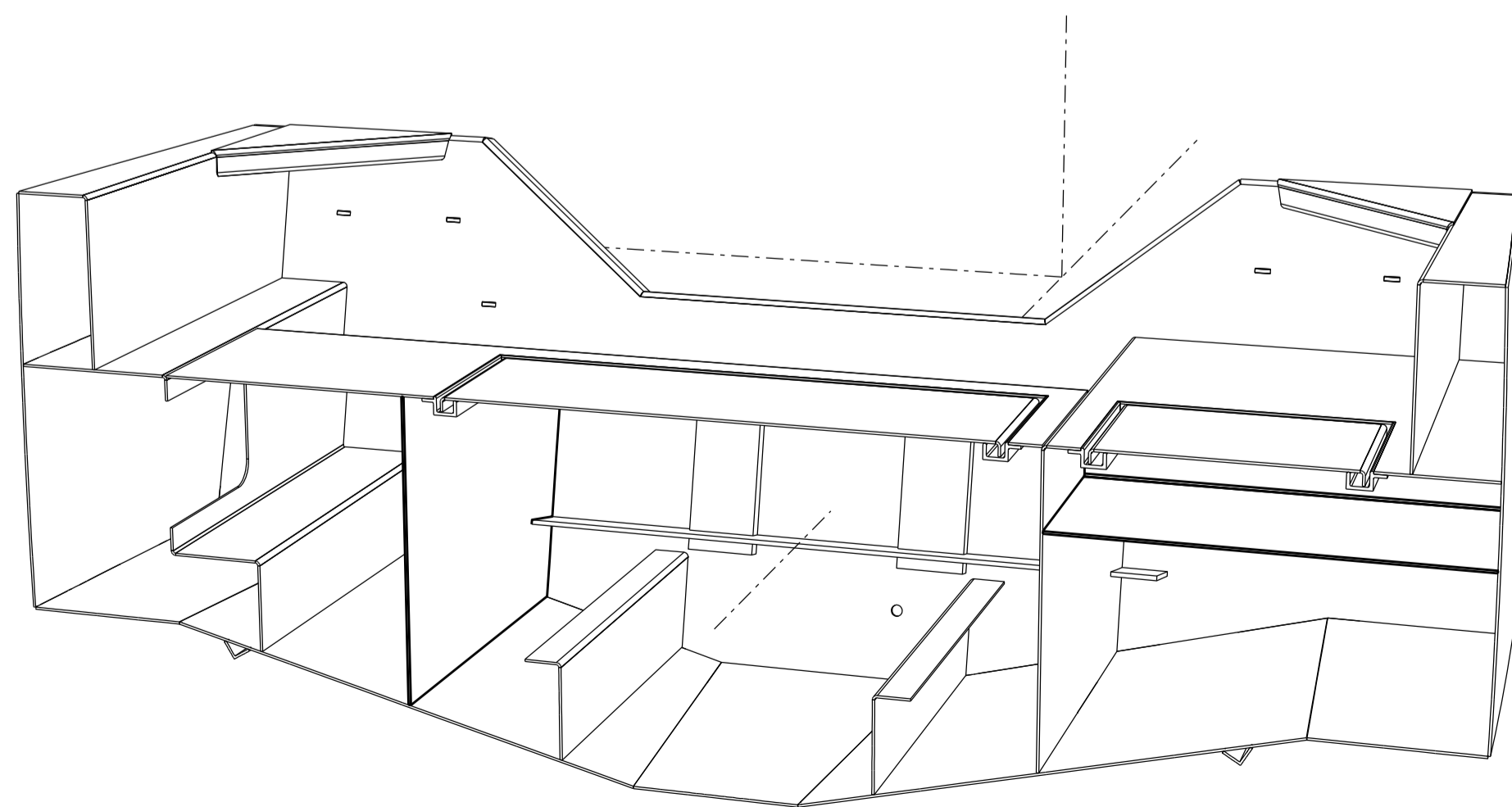
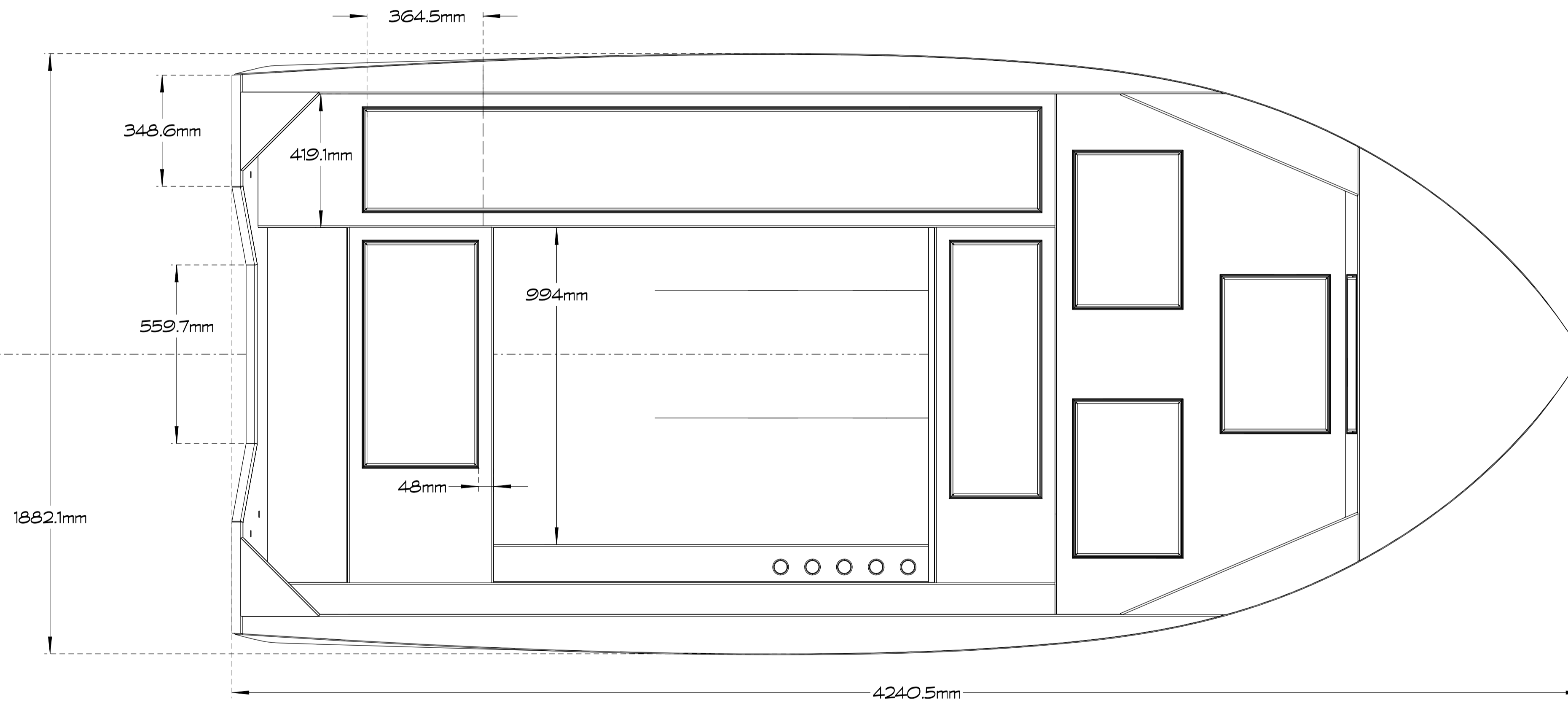
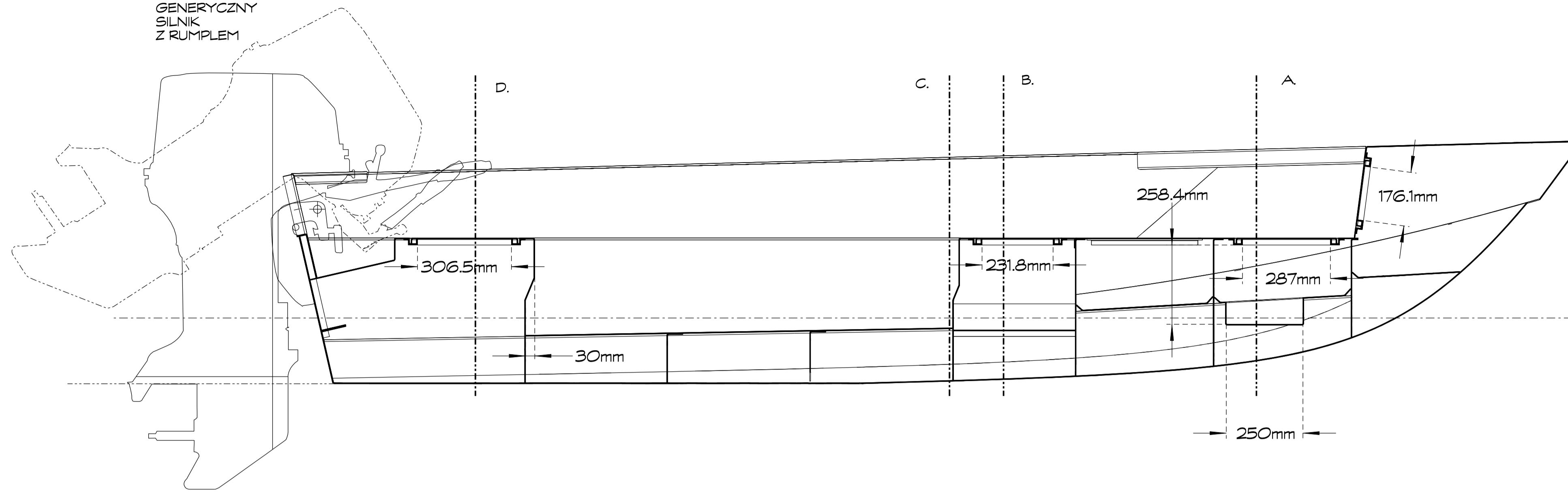


GENERYCZNY
SILNIK
Z RUMPLEM



Conrad Yachts
#1205, 615 BELMONT ST.
NEW WESTMINSTER, B.C.
V3M 6A1

www.conradyachts.com
+1 (604) 549 6441
This drawing may not be reproduced, used,
manufactured or publicized without a
written permission from Conrad Yachts.

CLIENT: SKYLLA
SZKIC: GŁÓWNE WYMIARY 2
ŁÓDŹ WĘDKARSKA 420CM
DESIGNED BY: Jarosław Karlios
DRAWN BY: Jarosław Karlios

SIZE	A 1	SOURCE DWG		SHEET	1	OF	1
DWG NO	T420-02-00	DATE	28.OCT.2019	SCALE	1:10		