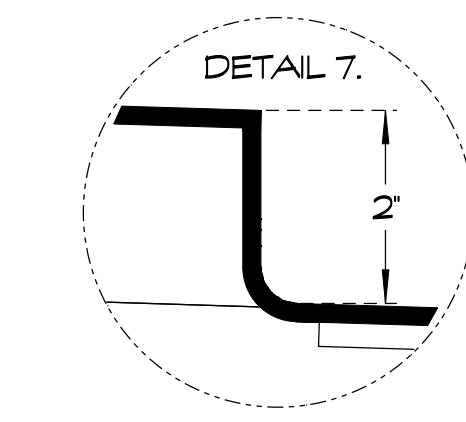
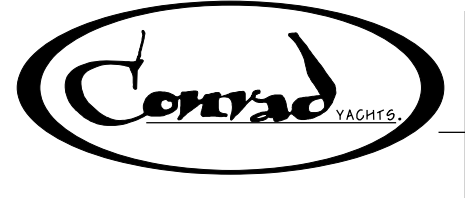


Design Displacement = 3,175kg(7000lb)
 Max. Load = 454kg(1000lb)
 LOA = 7.5m(28'-10 1/2")
 Max. Beam = 2.5m(8')
 Hull length = 8.8m(22.3)
 Min. power = 200 HP
 Max. power = 600 HP
 Deadrise aft = 22°
 Bottom Plate = 6mm(1/4")
 Topsides Plate = 5mm(3/16")
 Cabin Plate = 3mm(1/8")
 Fuel = 490L(130USG)




 CLIENTS: GA
 PROFILE & PLAN
 20ft. CENTRE CONSOLE SPORTFISHER
 DESIGNED BY: Jaroslav Karlos
 DRAWN BY: Jaroslav Karlos

SIZE	ANSI E	SOURCE DWG	SHEET 1 OF 1
DWG NO	T29CC-G02-00	DATE	04. AUG. 2021
SCALE	1" = 1' - 0"		

Corrad Yachts
 #205, 815 BELMONT ST.
 NEW WESTMINSTER, B.C.
 V3M 6A1
 www.corradyachts.com
 (604) 549 6441