

DESIGN DISPLACEMENT = 4,500LB

METALWORK ONLY - 2,000LB

MAX. LOAD = 1500LB

LOA = 24'-4"

MAX. BEAM = 8'-5"

MIN. POWER = 115 HP

MAX. POWER = 300 HP

DEADRISE AFT = 20°

BOTTOM PLATE = 1/4"

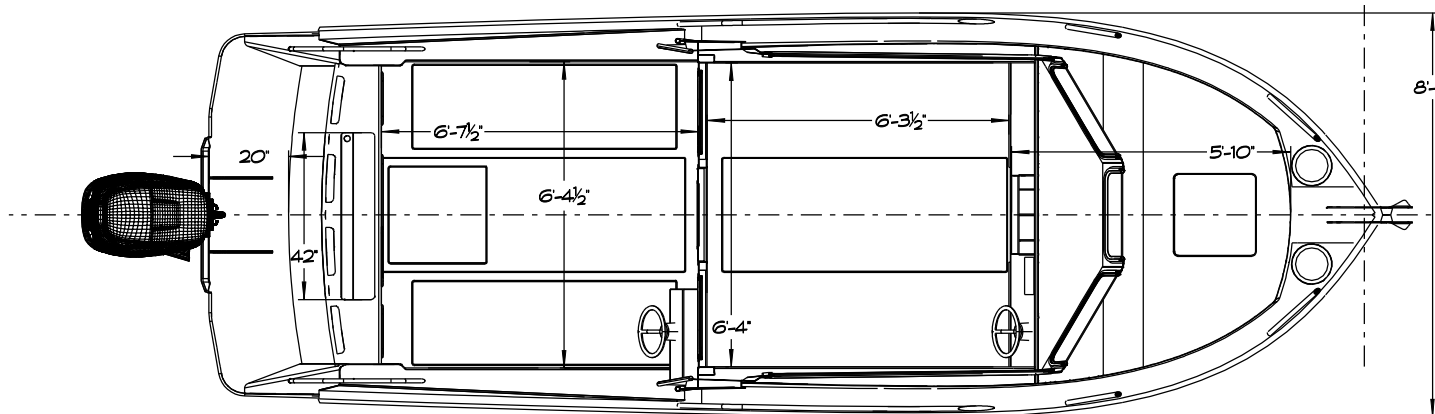
TOPSIDES PLATE = 3/8"

CABIN PLATE = 1/8"

FUEL = 100USG

CENTRE FISH HOLD = 18 USG

SIDE FISH HOLDS = 25 USG EACH



03.12013

Coastal Yachts  
1000, 800 BELMONT ST.  
NEW WASHINGTON, B.C.  
V2Y 6K4  
www.coastalyachts.com  
416(249)540-6441

EXTERIOR PROFILE & PLAN  
24ft. SPORTFISHER

DATE	ARCH	DESIGN	SCALE	DESIGNED BY	DRAWN BY
T24CFL-001A-00C	E	03.FEB.2020	1"=1'-0"	Jaroslav Karlos	Jaroslav Karlos