

DWL @ 3,000 lb

Displacement = 3,000 LB

Min. power = 70 HP

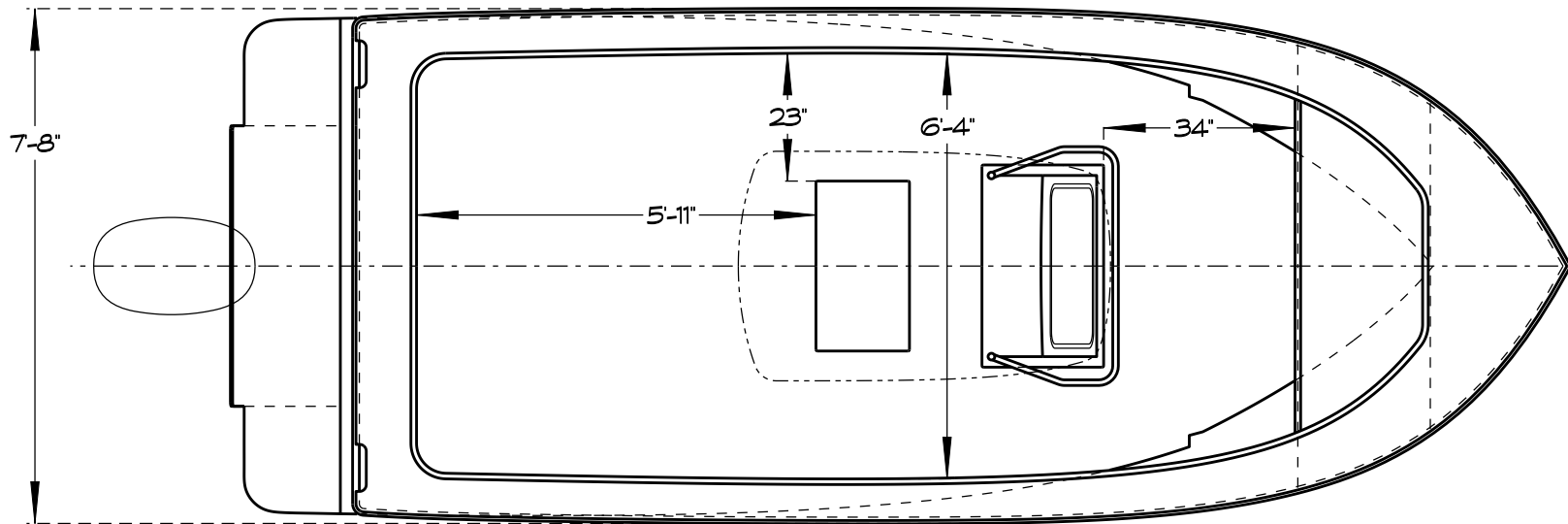
Max. power = 150 HP

Bottom Plate =  $\frac{1}{4}$ "

Topsides Plate =  $\frac{3}{16}$ "

Console Plate =  $\frac{1}{8}$ "

Fuel = 60 USG



This drawing may not be reproduced, used, manufactured or publicized without a written permission from Conrad Yachts.



Conrad Yachts  
553 Tempe Cres.  
North Vancouver, B.C.  
V7N 1E7  
www.conradyachts.com  
phone: (604) 986 6138

CLIENT: \_\_\_\_\_  
**Preliminary Profile & Plan**  
TUNA 18 - SPORT UTILITY BOAT  
DESIGNED BY: Jaroslaw Karlos  
DRAWN BY: Jaroslaw Karlos

REV	0	SOURCE DWG	Tuna 18 master-01	SHEET	1	OF	1
SIZE	A	DWG NO	T 18-S01	DATE	31.OCT.08	SCALE	NO SCALE